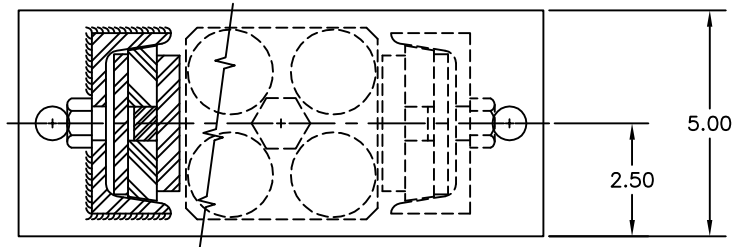
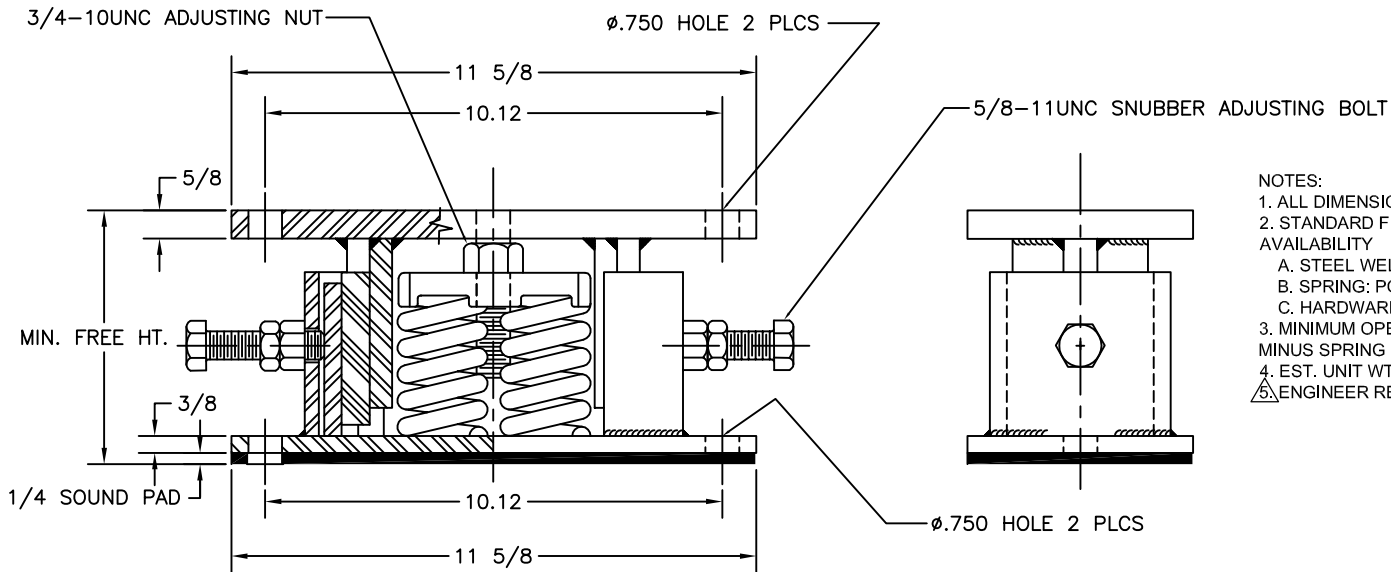


REV.	DESCRIPTION	DATE	BY



PART NUMBER	ISOLATOR MODEL	MAX. STEADY (LBS)	MAX. IMPACT (LBS)	ISOLATOR CONSTANT (LBS)	MIN. FREE HEIGHT	COLOR CODE
606138-50	SIE-50	200		100	7 1/8	YELLOW
606138-51	SIE-51	500		250		ORANGE
606138-52	SIE-52	800		480		BROWN
606138-53	SIE-53	1200		760		BLACK
606138-54	SIE-54	2000		1380		GREEN
606138-55	SIE-55	2800		2240		BLUE
606138-56	SIE-56	4800		6600	5 3/4	PURPLE
606138-45	SIE-45	1300	1040	1760		BROWN
606138-46	SIE-46	1800	1440	3200		RED
606138-47	SIE-47	2400	1920	4900		PURPLE
606138-57	SIE-57	4400	3300	8520	6 1/8	BLUE
606138-68	SIE-68	5200	4900	10600		GREEN



- NOTES:
1. ALL DIMENSIONS ARE IN INCHES, INTERPRET PER ANSI Y14
 2. STANDARD FINISH: CONTACT VMC FOR ADDITIONAL AVAILABILITY
 - A. STEEL WELDMENTS: STANDARD VMC COLOR
 - B. SPRING: POWDER COATED
 - C. HARDWARE: ELECTRO-ZINC PLATED
 3. MINIMUM OPERATING HEIGHT IS 5 1/4" OR FREE HEIGHT MINUS SPRING DEFLECTION, WHICHEVER IS GREATER.
 4. EST. UNIT WT: 45 LBS
- ENGINEER REVIEW

OTHER MATERIALS, COMPOUNDS, OR FINISHES WITH EQUAL OR SUPERIOR PROPERTIES MAY BE SUBSTITUTED AS THEY BECOME AVAILABLE.

CERTIFIED FOR:

JOB NAME: _____
 CUSTOMER : _____
 CUSTOMER P.O.: _____
 SALES ORDER: _____

**MODEL SIE 200-5200 LBS.
 SPRING ISOLATOR WITH
 ADJUSTABLE SNUBBER**



THE VMC GROUP
The Power of Together
 Bloomingdale, NJ 07403
 Houston, TX 77041

SCALE :
 NONE

SHEET: _____



DRAWING NO.: _____ REVISION _____